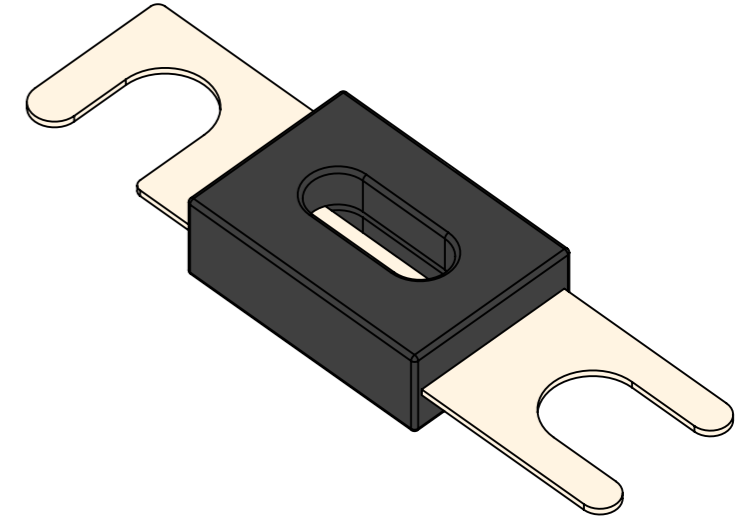
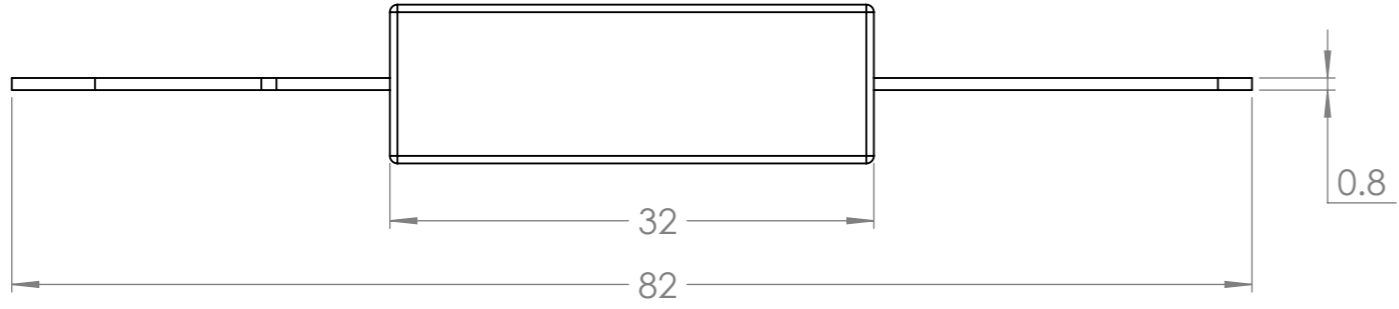
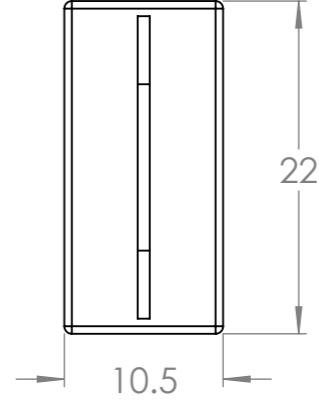
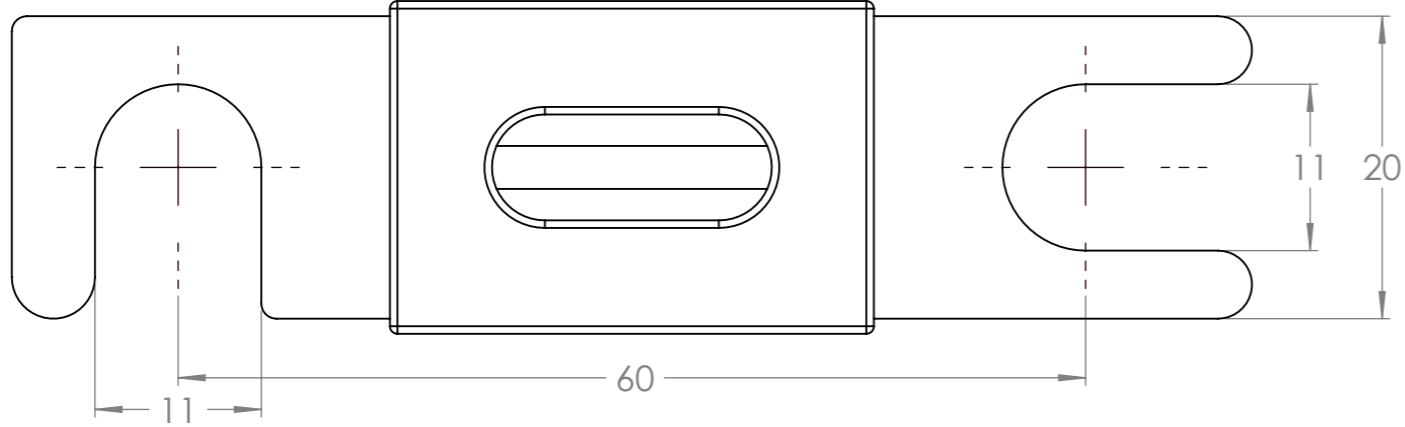


Dimension Drawing - Smart Shunt 500A	
CIP142300000	ANL-fuse 300A/80V for 48V products (1 pc)
CIP142400000	ANL-fuse 400A/80V for 48V products (1 pc)
CIP142500000	ANL-fuse 500A/80V for 48V products (1 pc)



Dimensions in mm

